



## Introduction

Advance Connex HDBaseT Wallplate transmitter which supports 1\*HDMI and 1\*VGA+3.5mm audio inputs, and one switch button. It also supports the input sources auto detection and switch. The HDMI input and the output resolution can up to 4k@30hz, with the POC(power over cable) and POE function, users can only power on the HDBaseT receiver, for the transmission distance it can up to 70m at 1080P60, and for 4K30Hz it can up to 35m over single Cat5e/6/7 cable. It's popularly used in the small meeting room, classroom or other long distance transmission applications.

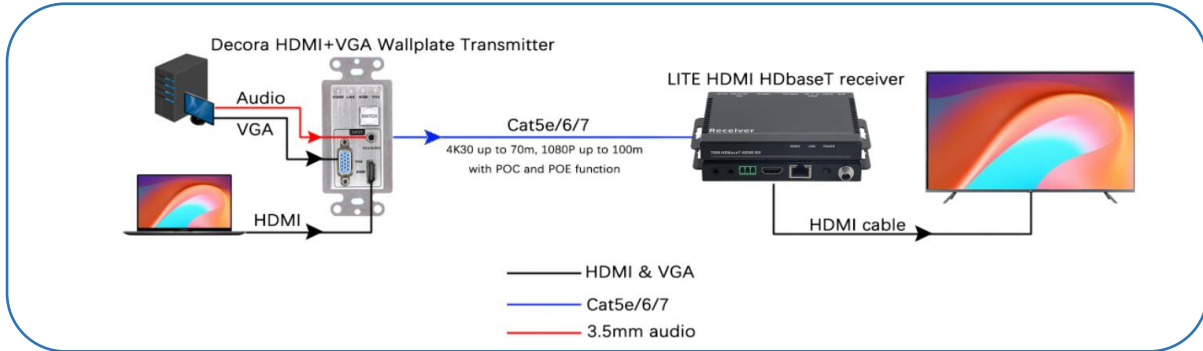
## Features

- Supports HDMI and VGA input
- Supports HDCP1.4
- Transmission distance: 220ft/70m at 1080P60, 110ft/35m at 4K30 via Cat5e/Cat6
- Supports inputs sources auto detection and switching
- Supports the Switch button to switch
- Supports POC(power over Cable), POE function
- Supports multiple panel size(Decora/ US 1-gang, UK 1-gang)
- LED working indicator

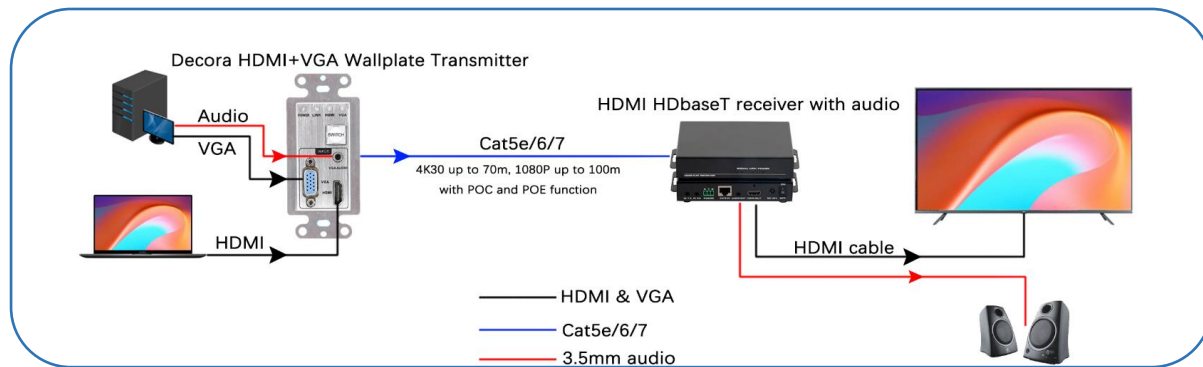
## Specification

<b>Product name</b>	<b>HDMI+VGA HDBaseT Wallplate Transmitter</b>
Input	1*HDMI, 1*VGA+3.5mm audio, 1*Switch button
Output	1*HDBaseT (RJ45)
Control	Switch Button or auto sources detection/switch
Transmission distance	70m at HD1080p60, 35m at 4K30 via Cat6
Bandwidth	10.2Gbps
Power Supply	DC 12V 1.5A
Dimension (WxHxD)	Product back size: 74x45x32mm/ 2.83x1.77x1.26inch
	Decora front panel size: 103x46mm/ 4.06x1.81inch
Product weight	200g/0.45lb
Operating Temperature	-10°C to 40°C
Storage Temperature	-25°C to 55°C

Connection diagram



----RX without audio--- (standard model)



----RX with audio de-embedded--- (optional)