



EC17-CF Series

Cost effective single rail 17" LCD console with 8/16 ports combo-free KVM switch

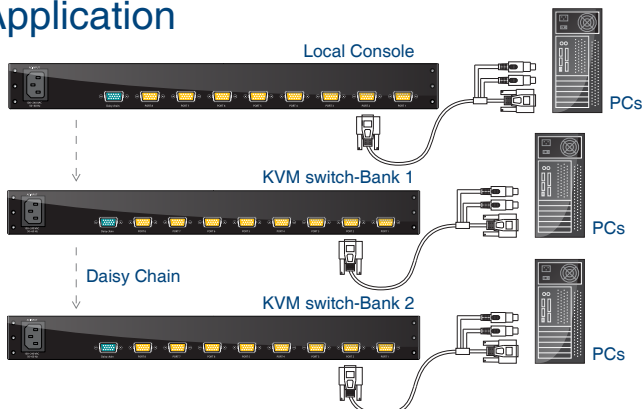
EC 117-CF series provides more competitive price and more flexible combination. It keeps all original characteristic of single rail LCD console, easy to install and use. It saves cost and strengthens your competitive ability. With built-in 8/16 ports combo-free KVM switch, you can control 8/16 platforms and easily expand the connections up to 8/16 levels with the combination of KVM switch boxes.

Single Rail	17" TFT LCD	5 Various Keyboard	ROHS Compliant	8/16 ports KVM switch	PS/2 USB interface
-------------	-------------	--------------------	----------------	-----------------------	--------------------

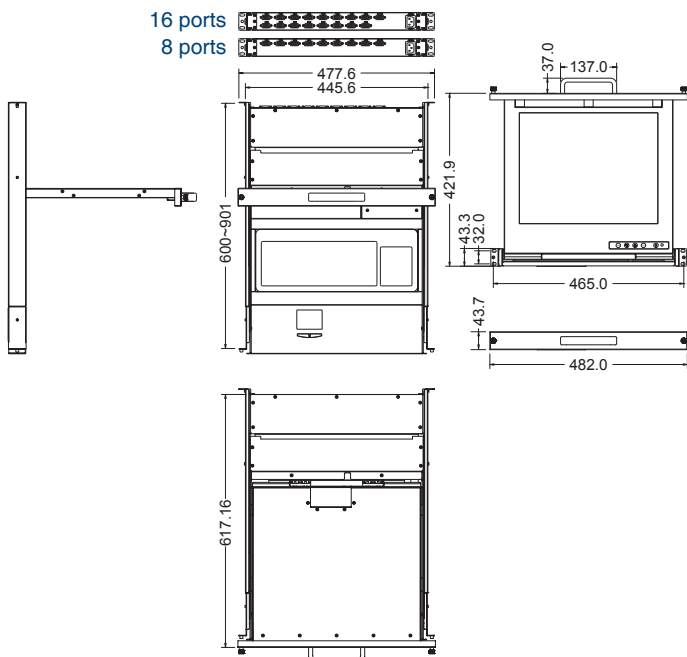
Features

- Cost effective LCD console
- Single rail easy to install and use
- Integration 8/16 ports combo-free KVM switch
- International keyboards for optional
- Bright Active Matrix TFT display
- OSD function (On Screen Display) for LCD display
- IP Based support (Optional add on)

Application



Dimension



Specification

Model Name	EC 1708CF	EC 1716CF
System Connections	8	16
Dimension	617.16 x 445.6 x 43.7 mm	
Display Size	17 inches	
Power Consumption	13.35 W	
Resolution Capabilities	Maximum Resolution up to 1280 x 1024 (SXGA)	
Pixel Pitch	Supports 0.264 mm x 0.264 mm	
Active Display Area	Horizontal: 337.920 mm, Vertical: 270.336 mm	
Viewing Angle (CR ≥ 10)	Right-Left view 170° (Typ) Up-Down View 160° (Typ)	
Contrast Ratio	1000 : 1	
Brightness	White 250 cd/m ² (Center 1 point Typ)	
Back Light	Dual Lamps for Back Light	
Supported Colors	16.7M Colors (8-bit with FRC)	
Response Time	Rise Time 1.2 ms, Decay Time 3.8 ms	
Operating System	Dos, Unix, Linux, OSX, Windows (XP, 7, 8, Server 2012 R2)	
Signal Cables	KC-1501C	
Keyboard Mouse	105 key keyboard with touch pad	
Sync	45 ~ 80 KHz	
Power Source	100 ~ 240 VAC input	
Panel Type	Active Matrix TFT LCD	
Temperature	Operate 0 ~ 50 °C / 32 ~ 122 °F Storage -20 ~ 60 °C / -4 ~ 140 °F	
Humidity	10% ~ 90% RH	
Chassis Construction	Heavy duty steel materials	
Keyboard Language	US, UK, German, French, Russian	
Combo-Free KVM Switch		
Connector (All Female Types)	1 x HDDB-15 pin for daisy chain 8/16 x HDDB-15 pin for system connection 1 x AC Inlet	
Max. Distance (KVM switch -- Host)	5 meters	
Daisy Chain Port	Support Daisy Chain function with 8-layer Bus topologies.	
PC selection	On Screen Display (OSD) Menu, Hot Key	
Security	Provide ACL (Access Control List) security function, store up to 8 independent controllable PC lists	
Multilingual OSD (On Screen Display) control	8 languages (English, France, German, Spanish, Italian, Russian, Japanese, Chinese)	

Options

Color (Black / Beige / OEM color)

Signal cable 1.8m / 5.0m