

PAR5008AL

1-port IEEE1284 Parallel
Universal PCI Low Profile Board



Introduction

SUNIX PAR5008AL PCI Parallel card enables users to add or expand one additional ECP/EPP/SPP/BPP communication port on their PC-based system for connecting their parallel devices. It is ideal for printers, IC programmers, ZIP Drives, or any Parallel devices*. The card is compatible with both 64 / 32-bit PCI architecture supporting 3.3 and 5V Bus, allowing it to be installed in any slim size PC-based system with low profile bracket structure. SUNIX PAR5008AL card is designed with SUNIX high performance and realizable parallel connectivity controller, SUN1989 and as well built with many of SUNIX advanced features and technologies, making it the advanced and high efficient solution for commercial and industrial automation applications.

Features

- High reliability SUNIX SUN1989 Parallel controller on-board.
- Expands one IEEE1284 Parallel port on system.
- Universal PCI compatible with 64/32-bit PCI-X/PCI Bus and 3.3/5V connector key.
- Compliance with PCI 33MHz Version 3.0/2.3/2.2/2.1 specification.
- Support IEEE 1284-1994 parallel port standard
 - * ECP (Enhance Capacity Port) / EPP (Enhance Parallel Port)
 - * SPP (Standard Parallel Port) / BPP (Bi-direction Parallel Port).
- Auto-switching between ECP/EPP/SPP/BPP modes without configuration.
- Plug-n-Play, I/O address and IRQ assigned by system.
- Low profile bracket design idea for slim or portable PC.
- Certified by CE, FCC, RoHS, and Microsoft WHQL approval.
- Support Microsoft Windows, Linux, and DOS.



Specifications

Parallel Communication

Interface	IEEE1284	BUS	Universal PCI 64/32bit 3.3V/5V PCI Ver 3.0, 2.3, 2.2, 2.1
Controller	SUNIX SUN1989	IRQ & IO	Assigned by System
No. of Port	1-port	Speed	Maximum 1.8Mbps
Mode	SPP/ECP/EPP/BPP	FIFO	16byte Hardware
PCB Connector	DB25 Female		

Driver Support

Windows Client	Windows XP/Vista/7/8/8.1 (X86/X64)
Windows Server	Windows 2000 / 2003 / 2008 / 2008 R2 / 2012 / 2012 R2 (X86/X64)
Windows Embedded	Windows CE 4.2/5.0/6.0/XP Embedded/POSReady 2009/POSReady 7/ Embedded System 2009/Embedded Standard 7
Linux	Linux 2.4.x/2.6.x
DOS	DOS

Regulatory Approvals

Hardware	EN55022 Class B, EN55024, EN61000-3-2, EN61000-3-3, FCC Part 15 Class B, BSMI: CNS13438, C-Tick: CISPR22 AS/NZS, RoHS
Software	Microsoft WHQL Windows ◆ Windows Client: XP/Vista/7/8/8.1 (X86/X64) ◆ Windows Server: 2000 / 2003 / 2008 / 2008 R2 / 2012 / 2012 R2 (X86/X64)

Environment

Operation Temperature	0 to 60°C (32 to 140°F)
Operation Humidity	5 to 95% RH
Storage Temperature	-20 to 85°C (-4 to 185°F)

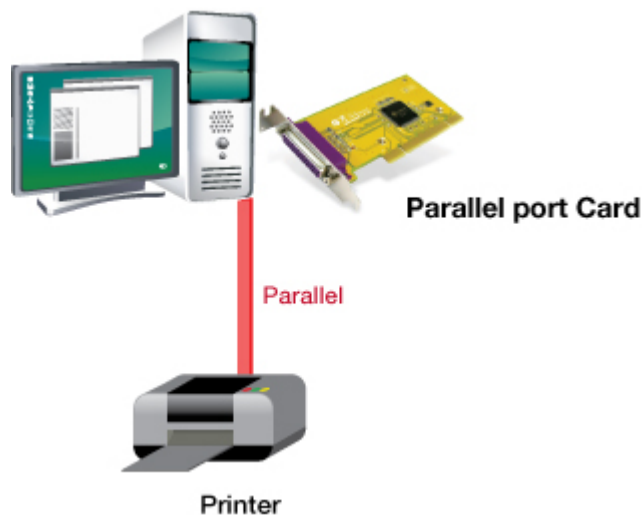
Dimension

PCB Dimension	120 x 61 mm
Bracket	Low Profile 80 mm
Bracket Space	1

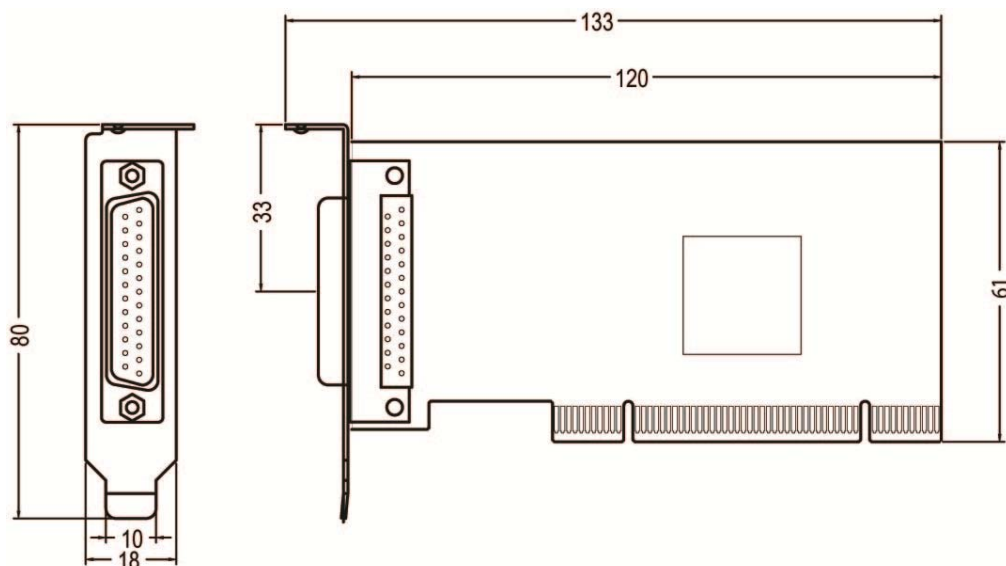
Note:

- * Do not support LPT Key Locker Parallel device.
- * LPT port does not support legacy 278/378 ISA address under Windows nor Linux operation systems, but only DOS mode.
- * ECP / EPP / SPP / BPP modes work under Windows, and Linux driver only supports SPP mode.

Application



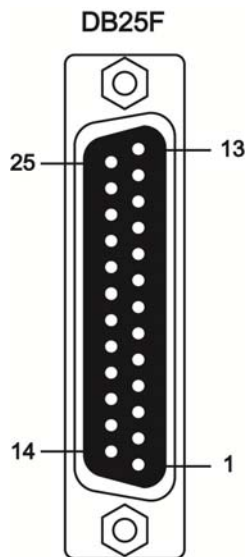
Mechanical Drawings (Unit = mm)





Pin Assignment

Parallel



PIN	DB25F	PIN	DB25F
STROBE	1	AUTO FEED	14
DATA0	2	ERROR	15
DATA1	3	INT	16
DATA2	4	SELECT INPUT	17
DATA3	5	GND	18
DATA4	6	GND	19
DATA5	7	GND	20
DATA6	8	GND	21
DATA7	9	GND	22
ACKNOWLEDGE	10	GND	23
BUSY	11	GND	24
PAPER EMPTY	12	GND	25
SELECT	13		

Packing List

Packing Content

- PAR5008AL- 1-port IEEE1284 Parallel Universal PCI Low Profile Board
- Quick Installation Guide
- Software CD ROM

Order Information

Parallel Interface

Bus	Port	Connector	Bracket	Model NO.
PCI Express	2	DB25 Female & 13 x 2 Pin Header	Standard	PAR4418A
		DB44 Female	Low Profile	PAR4418A L
	1	DB25 Female	Standard	PAR5408A
			Low Profile	PAR5408A L
PCI	2	DB25 Female & 13 x 2 Pin Header	Standard	PAR4018A
		DB44 Female	Low Profile	PAR4018A L
	1	DB25 Female	Standard	PAR5008A
			Low Profile	PAR5008A L
Express Card	1	DB25 Female	34mm	ECP1000
CardBus	1	DB25 Female	54mm	CBP1000